

LOGIC+ HEAT

12 15 18 24 30kW



Compact cupboard fit



NOx class 6



Direct rear flue option



Frost protection



Halo Wi-Fi & RF control compatible



Easy to use fully back-lit LCD display



Add an Ideal System Filter to increase the heat exchanger warranty by an additional 3 years



UP TO £35 EARN INSTALLER CONNECT POINTS FOR EVERY LOGIC+ HEAT YOU REGISTER



idealheating.com |

welcome to our ideology

*Subject to terms and conditions. 7 year parts and labour warranty available when registered within 30 days of installation. 10 year warranty available on heat exchanger when installed with an Ideal System Filter.

Features & specification

QUALITY AND RELIABILITY AS STANDARD

- Low component count maximising reliability
- Latest generation Honeywell gas valve
- Built in frost protection
- Ideal System Filter compatible

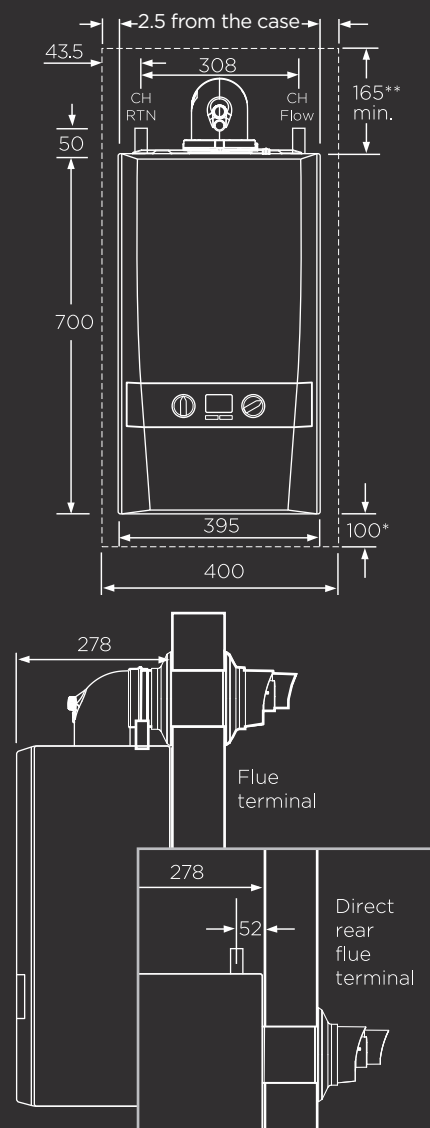
END USER BENEFITS

- Award winning range
- Service indication
- Compatible with a range of additional controls inc. weather compensation and OpenTherm controls
- LPG conversion kit available for 30 kW boilers
- Large output range 12 - 30kW

EASY TO INSTALL AND SERVICE

- Compact cupboard fit
- Low lift weight of 22.7kg
- Stand-off kit
- Wide range of flueing options
- Direct 80mm diameter rear flue option
- Top system connections
- Low minimum head requirement

Clearances & dimensions



Dimensions in mm.

Technical specification

LOGIC+ HEAT MODELS	H12	H15	H18	H24	H30
Weight (packaged) kg	26.2	26.2	26.2	26.2	26.2
Max installation weight kg	22.7	22.7	22.7	22.7	22.7
CH output (kW) min/max mean 70°C	4.8 - 12.0	4.8 - 15.0	4.8 - 18.0	4.8 - 24.2	6.1 - 30.3
CH output (kW) min/max mean 40°C	5.1 - 13.0	5.1 - 15.9	5.1 - 19.1	5.1 - 25.6	6.4 - 31.0
DHW output (kW) max	n/a	n/a	n/a	n/a	n/a
DHW flow rate l/min. 35°C rise	n/a	n/a	n/a	n/a	n/a
SEDBUK rating (2005) %	91.1	91.1	91.1	91.2	91.1
SEDBUK rating (2009/2012) %	89.4	89.4	89.7	89.7	89.6
NOx classification	CLASS 6	CLASS 6	CLASS 6	CLASS 6	CLASS 6
LPG conversion	No	No	No	No	Yes
Max horizontal flue	9m	9m	9m	9m	8m
Max vertical flue	7.5m	7.5m	7.5m	7.5m	7.5m
Powered vertical flue	22m	22m	22m	22m	22m
Direct rear flue kit (55/80)	Yes	Yes	Yes	Yes	Yes
Seasonal space heating efficiency class	A	A	A	A	A
Seasonal space heating energy efficiency η_s %	93	93	93	94	93
Sound power level, indoors LWA dB	36	38	41	47	49
Water heating energy efficiency class	n/a	n/a	n/a	n/a	n/a

T: 01482 492251 E: ideal@idealheating.com

Ideal Heating, PO Box 103, National Avenue, Kingston upon Hull, East Yorkshire, HU5 4JN.

Clearances & dimensions note: The minimum front clearance when built into a cupboard is 5mm from the cupboard door but 450mm overall clearance with the cupboard door open is required for servicing.

*Bottom clearance after installation can be reduced to 5mm. However, 100mm is required for servicing.

**Rear flue option - top clearance 100mm.