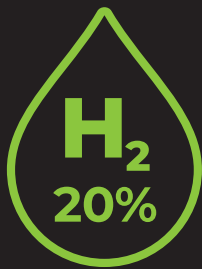


ideal
HEATING

LOGIC+ COMBI²

24 30 35kW



Compact cupboard fit



Compression fitting included



Enhance boiler performance with Halo



Low lift weight



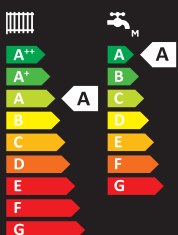
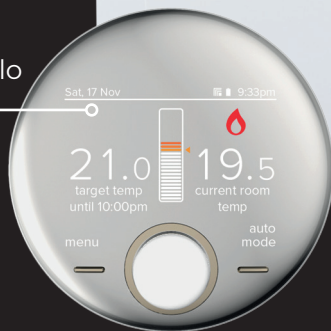
Intelligent pre-heat



Large colour screen and simple user interface



Made in the UK



idealheating.com |

*Subject to terms and conditions. 7 year parts and labour warranty available when registered within 30 days of installation.

Features & specification

END USER BENEFITS

- Award winning range
- Service indication
- Intelligent pre-heat function
- Large colour screen and simple user interface
- Enhance boiler performance by fitting a Halo thermostat, minimising energy consumption
- LPG conversion kit available for all kW outputs
- Green coloured filling loop handle drives user self-management
- Compatible with green heating technologies including solar thermal and hybrid systems

without pipes

- Wide range of flueing options
- Preformed copper tails
- Pre-wired mains lead
- Safety valve outlet pipe included
- Built in filling loop
- Fixed flue turret seal to prevent dislodgement during fitting
- Compression fitting included in the hardware pack
- QR codes linked to 'how to' videos in the instruction manual

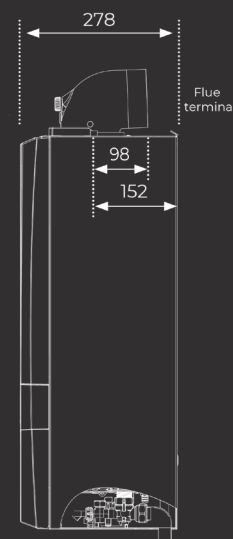
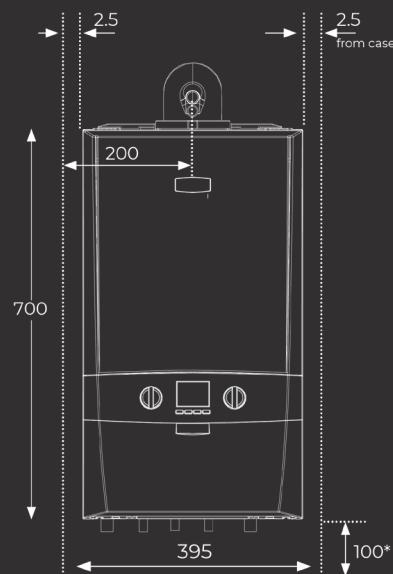
EASY TO SERVICE AND MAINTAIN

- Single dual-purpose spark and detection electrode
- Fully serviceable from the front

EASY TO INSTALL

- Honeywell gas valve
- Fully labelled and compartmentalised hardware pack
- Wiring centre can accommodate a variety of cable thickness's including 5-core cable with simple screw bridge clamps for fixation
- Designed, developed and made in the UK
- 7 year warranty as standard
- Compact cupboard fit
- Stand-off kit options with and

Clearances & dimensions



Dimensions in mm.

Technical specification

LOGIC+ COMBI ² MODELS	24	30	35
Weight(Packaged) kg	32.9	32.9	32.9
Max Installation weight kg	28.5	28.6	28.6
CH Output(kW) min /max mean 70°C	4.8-24.2	6.1-24.2	7.1-24.2
CH Output(kW) min /max mean 40°C	5.1-25.6	6.4-25.6	7.5-25.6
DHW output (kW) max	24.2	30.3	35.3
DHW flow rate l/min 35°C	9.9	12.4	14.5
SEDBUK rating (2005)%	91.1	91.1	91.1
SEDBUK rating (2009/2012)%	89.6	89.6	89.6
NOx Classification	Class 6	Class 6	Class 6
LPG conversion	Yes	Yes	Yes
Max Horizontal flue	9m	8m	6m
Max Vertical Flue	7.7m	7.5m	7.5m
Seasonal space heating efficiency class	A	A	A
Seasonal space heating energy efficiency μ s %	94	94	94
Sound power level indoors LWA dB(A)	50	46	46
Water heating energy efficiency class	A	A	A

T: 01482 492251 E: ideal@idealheating.com
 Ideal Heating, PO Box 103, National Avenue, Kingston upon Hull, East Yorkshire, HU5 4JN.

Clearances & dimensions notes: **The minimum front clearance when built into a cupboard is 5mm from the cupboard door but 450mm overall clearance with the cupboard door open is required for servicing. *Bottom clearance after installation can be reduced to 5mm. However, 100mm is required for servicing.

