

LOGIC MAX SYSTEM²

15 18 24 30kW



Low lift weight



Frost protection



Large colour screen and simple user interface



Ideal System Filter included to maintain and protect your heating system



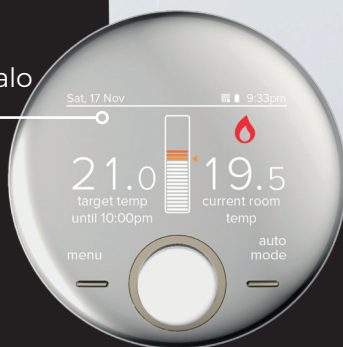
Compact cupboard fit



Compression fitting included



Enhance boiler performance with Halo



Features & specification

END USER BENEFITS

- Award winning range
- Service indication
- Enhance boiler performance by fitting a Halo thermostat, minimising energy consumption
- LPG conversion kits available for most kW outputs

EASY TO INSTALL

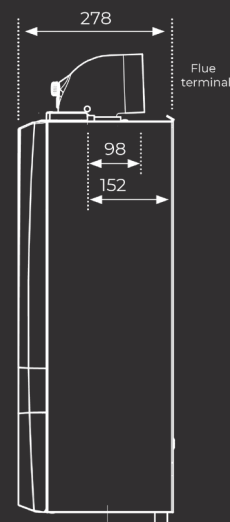
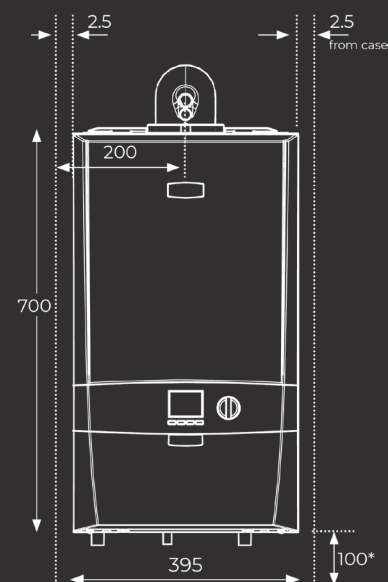
- Honeywell gas valve
- Built in frost protection
- Ideal System Filter included in the box
- Designed, developed and made in the UK
- 10 year warranty as standard
- Wiring centre can accommodate a variety of cable thickness's including 5-core cable with simple screw bridge clamps for fixation
- Low boiler lift weight of 26.1kg
- Compact cupboard fit
- Stand off kit options with and without pipes
- Wide range of flueing options

- Preformed copper tails
- Pre-wired mains lead
- Safety valve outlet pipe included
- Fixed flue turret seal to prevent dislodgement during fitting
- Compression fitting included in the hardware pack
- QR codes linked to 'how to' videos in the instruction manual

EASY TO SERVICE AND MAINTAIN

- Easy to see pressure gauge
- Single dual purpose spark and detection electrode
- Fully serviceable from the front

Clearances & dimensions



Dimensions in mm.

Technical specification

LOGIC MAX SYSTEM ² MODELS	15	18	24	30
Weight(Packaged) kg	31.3	31.3	31.3	31.3
Max Installation weight kg	27.3	27.3	27.3	27.3
CH Output(kW) min /max mean 70°C	4.8-15.0	4.8-18.0	4.8-24.2	6.1-30.3
CH Output(kW) min /max mean 40°C	5.1-15.9	5.1-19.1	5.1-25.6	6.4-31.0
SEDBUK rating (2005)%	91.2	91.1	91.2	91.1
SEDBUK rating (2009/2012)%	89.4	89.7	89.7	89.6
NOx Classification	Class 6	Class 6	Class 6	Class 6
LPG conversion	No	Yes	No	Yes
Max Horizontal flue	9m	9m	9m	8m
Max Vertical Flue	7.7m	7.5m	7.5m	7.5m
Seasonal space heating efficiency class	A	A	A	A
Seasonal space heating energy efficiency μ s %	93	93	94	93
Sound power level indoors LWA dB(A)	42	44	50	50



T: 01482 492251 E: ideal@idealheating.com

Ideal Heating, PO Box 103, National Avenue, Kingston upon Hull, East Yorkshire, HU5 4JN.

Clearances & dimensions notes: **The minimum front clearance when built into a cupboard is 5mm from the cupboard door but 450mm overall clearance with the cupboard door open is required for servicing.
*Bottom clearance after installation can be reduced to 5mm. However, 100mm is required for servicing.